

UPC Chapter 7 Sanitary Drains Student Copy

RV 4.24.2021

PLEASE DO NOT BOOKMARK ANY ANYTIMECE
WEBPAGES!

Our system will remember the last page you viewed when logging out and back in but please DO NOT exit out when taking a test. Your place will NOT be saved.

How to take this course.

1. Download and Print the test questions.
2. Login to your account with your ID and password.
3. Viewing your status page, scroll down and click on

["Click here to start this course"](#).



4. Begin viewing the web pages. Refer to your printed test to find the correct answers. The questions track the web pages.

5. As you find the answers, circle them on your printed copy.

6. At the end of each section, you'll enter the quiz which is the same as your printed test. Refer to your circled answers when actually answering the quiz

on the web.

7. Upon passing, you will proceed to the next section. If failed to pass, you will be moved to the beginning of that section for more review.

➤ ***Mobile users*** – Many current mobile devices are compatible with AnytimeCE and will probably work. If not, use a desktop or laptop computer to complete your course.

Quiz 1

1. Galvanized steel pipe can be used for drainage piping if _____.
 - 1) it is installed at least 6 inches' underground
 - 2) it is installed at least 6 inches aboveground
 - 3) it is installed under water
 - 4) it is installed with a waterproof covering
 - 5) it is installed in a sand bed
2. ABS and PVC piping can be installed in duct work if _____.
 - 1) it has a flame-spread index of a maximum of 25 and a smoke-developed index of a maximum 50
 - 2) it is installed in a single-family dwelling
 - 3) it is installed perpendicular through the duct work
 - 4) installed in a commercial building
 - 5) Answers A and B
3. Vitrified clay pipe can be _____.
 - 1) installed aboveground
 - 2) installed at any distance below ground
 - 3) installed belowground if at least 6 inches' deep
 - 4) installed belowground if at least 1-foot deep

UPC Chapter 7 Sanitary Drains Student Copy

RV 4.24.2021

- 5) installed belowground if at least 12 feet deep
4. A 2-inch copper tube for drainage shall have an OD of _____ inches.
- 1) 1.950
 - 2) 2.000
 - 3) 2.125
 - 4) 2.137
 - 5) 2.139
5. Stainless steel 304 pipe can be used for drainage piping if _____.
- 1) it is installed at least 6 inches' underground
 - 2) it is installed at least 6 inches aboveground
 - 3) it is installed under water
 - 4) it is installed with a waterproof covering
 - 5) it is installed in a sand bed
6. Cast-iron soil pipe must be marked with ____.
- 1) country of origin
 - 2) material of construction
 - 3) date of manufacture
 - 4) weight in ounces
 - 5) all of the answers given
7. Table 701.2 indicates that Schedule 40 ABS pipe can be installed _____.
- 1) only aboveground
 - 2) only belowground
 - 3) can never be installed
 - 4) either above or belowground
8. Screwed and threaded drainage fittings shall _____.
- 1) have a smooth interior waterway
 - 2) have no recess to catch debris
 - 3) be constructed to allow a 1/4-inch slope per foot
 - 4) all of the answers provided
 - 5) none of the answers provided
9. A safe pan made of lead should be at least _____ of an inch thick.
- 1) 1/32
 - 2) 1/16
 - 3) 1/8
 - 4) 1/4
 - 5) 1/2
10. A lead bend should be at least _____ of an inch thick.
- 1) 1/32
 - 2) 1/16
 - 3) 1/8
 - 4) 1/4
 - 5) 1/2
- =====

UPC Chapter 7 Sanitary Drains Student Copy

RV 4.24.2021

Quiz 2

1. A drainage fixture unit is equal to 1 gpm.
 - 1) True
 - 2) False

TABLE 702.1 DRAINAGE FIXTURE UNIT VALUES (DFU)* – Abbreviated			
PLUMBING APPLIANCES OR FIXTURES	MIN. SIZE TRAP/TRAP ARM (inches)	PRIVATE DFU	PUBLIC DFU
Bathtub/Shower	1 ½	2.0	2.0
Clothes Washer	2	3.0	3.0
Floor Drain (emergency)	2	----	0.0
Lavatory	1 ¼	1.0	1.0
Service mop basin	2	---	3.0
Sink – domestic	1 1/2	2.0	2.0
Sink- com. with food waste	1 1/2	----	3.0
Urinal, inter. trap 1.0GPF	2	2.0	2.0
Water closet 1.6 GPF	3	3.0	4.0

2. A single lavatory shall have a minimum trap arm of _____.
 - 1) 1-1/4 inch
 - 2) 1-1/2 inch
 - 3) 2 inches
 - 4) 2-1/2 inches
 - 5) 3 inches

3. A clothes washer shall have a minimum trap arm of _____.
 - 1) 1-1/4 inches
 - 2) 1-1/2 inches
 - 3) 2 inches
 - 4) 2-1/2 inches
 - 5) 3 inches

4. A service mop basin shall have a minimum trap arm of _____.
 - 1) 1-1/4 inches
 - 2) 1-1/2 inches
 - 3) 2 inches
 - 4) 2-1/2 inches
 - 5) 3 inches

5. A water closet in a public area shall have a minimum trap arm of _____.
 - 1) 1-1/2 inch
 - 2) 2 inches

UPC Chapter 7 Sanitary Drains Student Copy

RV 4.24.2021

- 3) 2-1/2 inches
 - 4) 3 inches
 - 5) 4 inches
6. A water closet in a public area is rated to have _____ DFU.
- 1) 1.0
 - 2) 2.0
 - 3) 3.0
 - 4) 4.0
 - 5) 5.0
7. A single lavatory in a private structure is rated to have _____ DFU.
- 1) 1
 - 2) 2
 - 3) 3
 - 4) 4
 - 5) 5
8. A clothes washer in a public structure is rated to have _____ DFU
- 1) 1
 - 2) 2
 - 3) 3
 - 4) 4
 - 5) 5
9. Excessive length of a trap arm can result in _____
- 1) the water seal being siphoned out of the trap
 - 2) reverse flow of the wastewater
 - 3) excessive pressure in the drain line
 - 4) sagging of the drainpipe
 - 5) too much air entering the vent
10. A single lavatory in a public structure is rated to have _____ DFU.
- 1) 1.0
 - 2) 2.0
 - 3) 3.0
 - 4) 4.0
 - 5) 5.0
11. A clothes washer in a public structure is rated to have _____ DFU.
- 1) 1.0
 - 2) 2.0
 - 3) 3.0
 - 4) 4.0
 - 5) 5.0

UPC Chapter 7 Sanitary Drains Student Copy

RV 4.24.2021

SIZE OF PIPE (inches)	1¼	1½	2	3	4	5	6	8	10
Maximum Units									
Drainage Piping ¹									
Vertical	1	2 ²	16 ³	48 ⁴	256	600	1380	3600	5600
Horizontal	1	1	8 ³	35 ⁴	216 ⁵	428 ⁵	720 ⁵	2640 ⁵	4680 ⁵
Maximum Length									
Drainage Piping									
Vertical, (feet)	45	65	85	212	300	390	510	750	—
Horizontal (unlimited)									
Vent Piping									
Horizontal and Vertical ⁶									
Maximum Units	1	8 ³	24	84	256	600	1380	3600	—
Maximum Lengths, (feet)	45	60	120	212	300	390	510	750	

Notes:

¹ Excluding trap arm.

² Except sinks, urinals, and dishwashers – exceeding 1 fixture unit.

³ Except six-unit traps or water closets.

⁴ Only four water closets or six-unit traps allowed on a vertical pipe or stack; and not to exceed three water closets or six-unit traps on a horizontal branch or drain.

⁵ Based on ¼ inch per foot (20.8 mm/m) slope. For ⅓ of an inch per foot (10.4 mm/m) slope, multiply horizontal fixture units by a factor of 0.8.

12. Table 703.2 – The maximum DFU capacity of a 2-inch drainage pipe in the horizontal position is _____.

- 1) 1
- 2) 8
- 3) 14
- 4) 32
- 5) 35

13. Table 703.2 – The maximum DFU capacity of a 1-1/2-inch drainage pipe in the vertical position is _____.

- 1) 1
- 2) 2
- 3) 6
- 4) 16
- 5) 32

14. Table 703.2 – The maximum DFU capacity of a 4-inch drainage pipe in the horizontal position is _____.

- 1) 32
- 2) 35
- 3) 48
- 4) 216
- 5) 256

15. Table 703.2 – The maximum DFU capacity of a 5-inch drainage pipe in the vertical position is _____.

- 1) 48
- 2) 216
- 3) 256
- 4) 428
- 5) 600

16. Table 703.2 A 2-inch vertical vent pipe has the capacity to handle _____ DFU.

UPC Chapter 7 Sanitary Drains Student Copy

RV 4.24.2021

- 1) 1
 - 2) 8
 - 3) 16
 - 4) 24
 - 5) 84
17. Table 703.2. The maximum length for a 2-inch vent pipe is _____ vertical feet.
- 1) 45
 - 2) 60
 - 3) 85
 - 4) 120
 - 5) 212
18. Table 703.2 – The maximum length for a 2-inch vent pipe in the horizontal position is _____.
- 1) 45
 - 2) 65
 - 3) 85
 - 4) 120
 - 5) 148
19. Horizontal drainage pipe should be run with a uniform slope of not less than _____ per foot toward the point of disposal.
- 1) 1/16 inch
 - 2) 1/4 inch
 - 3) 3/8 inch
 - 4) 1/2 inch
 - 5) Does not matter as long as it is sloping downhill
20. Wastewater should fill the pipe _____ full.
- 1) 1/6 to 1/3
 - 2) 1/3 to 1/2
 - 3) 1/2 to 3/4
 - 4) Does not matter as long as flows down the drain
21. A vent in a drainage system is used to _____.
- 1) equalize the air pressure on both sides of the wastewater flow
 - 2) keep the water seal from being blow out of the trap
 - 3) keep the water seal from being siphoned into the drainage pipe
 - 4) all of the answers provided
 - 5) none of the answers provided
22. ABS drainage pipe shall be supported at intervals of _____ feet or less.
- 1) 2
 - 2) 3
 - 3) 4
 - 4) 6
 - 5) 10
- =====

UPC Chapter 7 Sanitary Drains Student Copy

RV 4.24.2021

Quiz 3

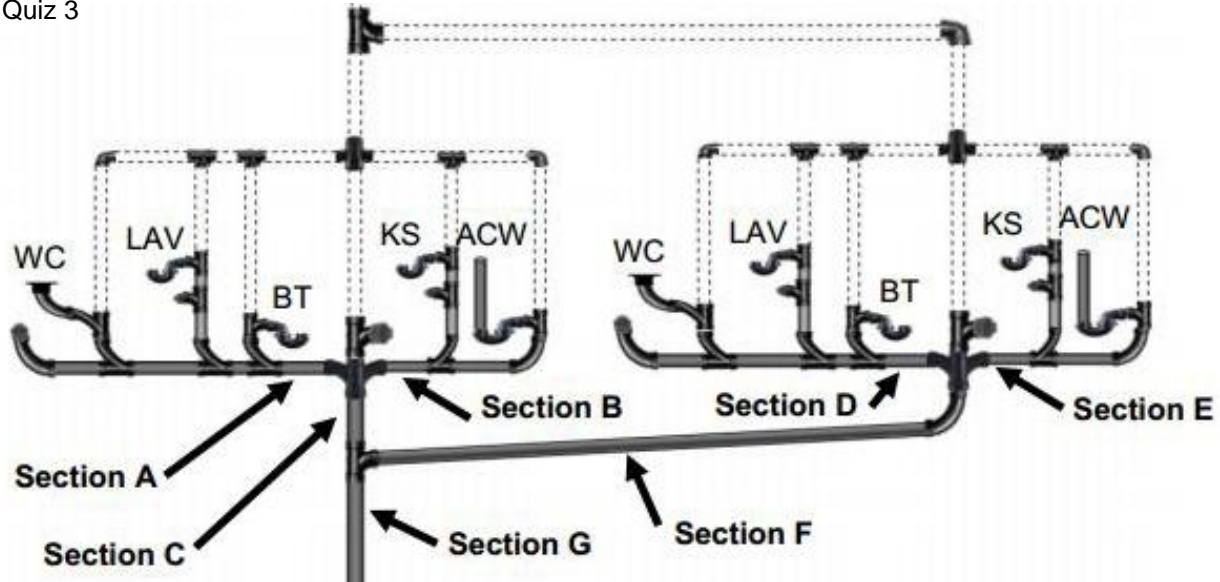


TABLE 702.1 DRAINAGE FIXTURE UNIT VALUES (DFU) Abbreviated Table		
PLUMBING FIXTURES	MIN. SIZE TRAP ARM (inches)	PRIVATE (DFUs)
Bathtub/Shower – BT	1 ½	2.0
Clothes Washer – ACW	2	3.0
Water Closet – WC	3	3.0
Lavatory Single – LAV	1 ¼	1.0
Kitchen Sink – KS	1 ½	2.0

TABLE 703.2: MAX. UNIT LOADING AND MAX. LENGTH OF DRAINAGE AND VENT PIPING – Abbreviated Table						
SIZE OF PIPE (Inches)	1 ¼	1 ½	2	3	4	5
Maximum Units						
Drainage Piping						
Vertical	1	2	16	48	256	600
Horizontal	1	1	8	35	216	428
Maximum Length						
Drainage Piping						
Vertical (feet)	45	65	85	212	300	390
Horizontal (unlimited)						
Vent Piping						
Horizontal and Vertical						
Maximum Units	1	8	24	84	256	600
Maximum Lengths (feet)	45	60	120	212	300	390

1. At Section A, the number of DFUs is calculated to be _____.
 - 1) 3
 - 2) 5
 - 3) 6
 - 4) 11
 - 5) 22

2. The minimum size drainage pipe at Section A must be _____ diameter.
 - 1) 1-1/2 inch
 - 2) 2 inches
 - 3) 3 inches
 - 4) 4 inches

3. At Section B, the number of DFUs is calculated to be _____.
 - 1) 3
 - 2) 5
 - 3) 6

UPC Chapter 7 Sanitary Drains Student Copy

RV 4.24.2021

- 4) 11
5) 22
4. The minimum size drainage pipe at Section B must be _____ diameter.
1) 1-1/2 inch
2) 2 inches
3) 3 inches
4) 4 inches
5. At Section C, the number of DFUs is calculated to be _____.
1) 3
2) 5
3) 6
4) 11
5) 22
6. The minimum size drainage pipe at Section C must be _____ diameter.
1) 1-1/2 inch
2) 2 inches
3) 3 inches
4) 4 inches
7. At Section D, the number of DFUs is calculated to be _____.
1) 3
2) 5
3) 6
4) 11
5) 22
8. The minimum size drainage pipe at Section D must be _____ diameter.
1) 1-1/2 inch
2) 2 inches
3) 3 inches
4) 4 inches
9. At Section E, the number of DFUs is calculated to be _____.
1) 3
2) 5
3) 6
4) 11
5) 22
10. The minimum size drainage pipe at Section E must be _____ diameter.
1) 1-1/2 inch
2) 2 inches
3) 3 inches
4) 4 inches
11. At Section F, the number of DFUs is calculated to be _____.
1) 3
2) 5
3) 6
4) 11
5) 22

UPC Chapter 7 Sanitary Drains Student Copy

RV 4.24.2021

12. The minimum size drainage pipe at Section F must be _____ diameter.

- 1) 1-1/2 inch
- 2) 2 inches
- 3) 3 inches
- 4) 4 inches

13. At Section G, the number of DFUs is calculated to be _____.

- 1) 3
- 2) 5
- 3) 6
- 4) 11
- 5) 22

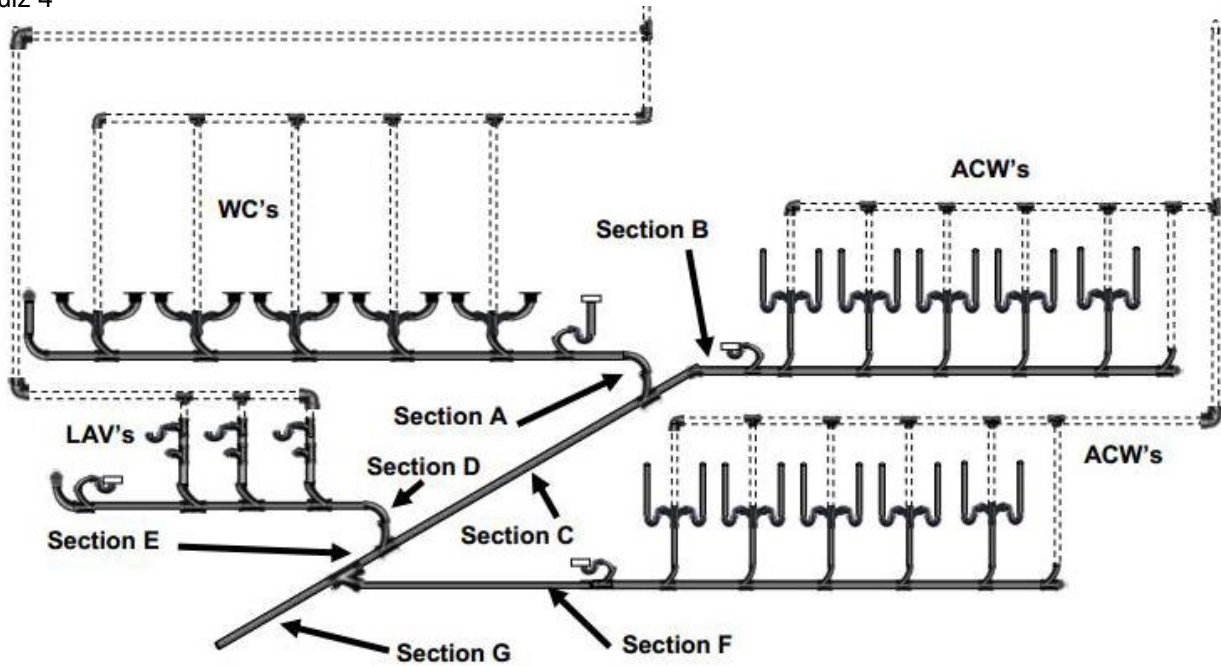
14. The minimum size drainage pipe at Section G must be _____ diameter.

- 1) 1-1/2 inch
 - 2) 2 inches
 - 3) 3 inches
 - 4) 4 inches
-

UPC Chapter 7 Sanitary Drains Student Copy

RV 4.24.2021

Quiz 4



**TABLE 702.1
DRAINAGE FIXTURE UNIT VALUES (DFU)
Abbreviated Table**

PLUMBING FIXTURES	MIN. SIZE TRAP ARM (inches)	PUBLIC (DFUs)
Bathtub/Shower – BT	1 ½	2.0
Clothes Washer – ACW	2	3.0
Water Closet – WC	3	4.0
Lavatory Single – LAV	1 ¼	1.0
Kitchen Sink – KS	1 ½	2.0
Floor Drain – FD	2	0.0

**TABLE 703.2: MAX. UNIT LOADING AND MAX. LENGTH OF
DRAINAGE AND VENT PIPING – Abbreviated Table**

SIZE OF PIPE (Inches)	1 ¼	1 ½	2	3	4	5
Maximum Units						
Drainage Piping						
Vertical	1	2	16	48	256	600
Horizontal	1	1	8	35	216	428
Maximum Length						
Drainage Piping						
Vertical (feet)	45	65	85	212	300	390
Horizontal (unlimited)						
Vent Piping						
Horizontal and Vertical						
Maximum Units	1	8	24	84	256	600
Maximum Lengths (feet)	45	60	120	212	300	390

¹ Buildings having a clothes-washing area with clothes washer in battery of **three or more** clothes washers shall be rated **6 fixture** units each for purposes of sizing common horizontal and vertical drainage piping.

¹ Only four water closets or six unit traps allowed on vertical pipe.

¹ Not to exceed three water closets or six unit traps on horizontal branch or drain.

1. At Section A, the number of DFUs is calculated to be _____.
 - 1) 10
 - 2) 20
 - 3) 30
 - 4) 40
 - 5) 60

2. The minimum size drainage pipe at section A is ____

UPC Chapter 7 Sanitary Drains Student Copy

RV 4.24.2021

- 1) 1-1/2 inch
 - 2) 2 inches
 - 3) 3 inches
 - 4) 4 inches
3. At Section B, the number of DFUs is calculated to be _____.
- 1) 10
 - 2) 20
 - 3) 30
 - 4) 40
 - 5) 60
4. The minimum size drainage pipe at Section B must be _____ diameter.
- 1) 1-1/2 inch
 - 2) 2 inches
 - 3) 3 inches
 - 4) 4 inches
5. At Section C, the number of DFUs is calculated to be _____.
- 1) 20
 - 2) 40
 - 3) 60
 - 4) 80
 - 5) 100
6. The minimum size drainage pipe at Section C must be _____ diameter.
1. 1-1/2 inch
 2. 2 inches
 3. 3 inches
 4. 4 inches
7. At Section D, the number of DFUs is calculated to be _____.
- 1) 3
 - 2) 5
 - 3) 6
 - 4) 11
 - 5) 22
8. The minimum size drainage pipe at Section D must be _____ diameter.
- 1) 1-1/2 inch
 - 2) 2 inches
 - 3) 3 inches
 - 4) 4 inches
9. At Section E, the number of DFUs is calculated to be _____.
1. 3
 2. 5
 3. 100
 4. 103
 5. 163
10. The minimum size drainage pipe at Section E must be _____ diameter.
- 1) 1-1/2 inch
 - 2) 2 inches
 - 3) 3 inches

UPC Chapter 7 Sanitary Drains Student Copy

RV 4.24.2021

- 4) 4 inches
11. At Section F, the number of DFUs is calculated to be _____.
1) 10
2) 20
3) 30
4) 40
5) 60
12. The minimum size drainage pipe at Section F must be _____ diameter.
1) 1-1/2 inch
2) 2 inches
3) 3 inches
4) 4 inches
13. At Section G, the number of DFUs is calculated to be _____.
1) 3
2) 5
3) 100
4) 103
5) 163
14. The minimum size drainage pipe at Section G must be _____ diameter.
1) 1-1/2 inch
2) 2 inches
3) 3 inches
4) 4 inches

=====

Quiz 5

1. An ABS pipe can be threaded if it is at least Schedule _____.
1) 40
2) 60
3) 80
4) 100
5) 120
2. Thread sealant compound shall be _____.
1) applied to the male threads
2) insoluble in water
3) nontoxic
4) all of the answers provided
5) none of the answers provided
3. ABS joints shall be made while the _____ are wet with solvent cement.
1) inside surface
2) outside surface
3) both inside and outside surfaces
4. The depth of the lead in a cast iron fitting must be at least _____.
1) 1/2 inch
2) 3/4 inch
3) 1 inch
4) 1-1/2 inches
5) none of the answers provided

UPC Chapter 7 Sanitary Drains

Student Copy

RV 4.24.2021

5. The lead level on a cast iron pipe fitting cannot be lower than _____ inches below the rim of the hub.
- 1) 1/16
 - 2) 1/8
 - 3) 1/4
 - 4) 1/2
 - 5) none of the answers provided
6. Mechanical joints for cast-iron pipe and fittings shall be _____.
- 1) of elastomeric compression coupling
 - 2) a mechanical joint
 - 3) both answers provided
 - 4) neither of the answers provided
7. Caste iron cut pipe shall be _____.
- 1) clear of sharp edges
 - 2) threaded
 - 3) filed smooth
 - 4) cut with a hack saw
 - 5) none of the answers provided
8. Hubless cast-iron pipe and fittings shall be clean and free of _____ prior to installing a compression joint.
- 1) dirt
 - 2) mud
 - 3) sand
 - 4) foreign materials
 - 5) all of the answers provided
9. Brazed joints between copper pipe and fittings shall be made with brazing alloys having a liquid temperature above _____.
- 1) 250 °F
 - 2) 500 °F
 - 3) 750 °F
 - 4) 1000 °F
10. On threaded copper joints the sealant tape or compound shall be applied only to_____.
- 1) the male threads
 - 2) the female threads
 - 3) the uni-sex threads
 - 4) either set of threads
 - 5) neither since the tapered threads are self-sealing
11. PVC push-on joints that have an elastomeric gasket, shall provide a compressive force against the spigot and socket after assembly, to provide a_____.
- 1) permanent seal
 - 2) removable joint
 - 3) quick joint
 - 4) loose joint
 - 5) all the answers provided
12. PVC joints shall use a primer that is _____ in color.
- 1) red
 - 2) pink
 - 3) purple
 - 4) orange

UPC Chapter 7 Sanitary Drains Student Copy

RV 4.24.2021

- 5) clear
13. Joint shall be held in place and shall remain undisturbed for 1 minute after assembly.
- 1) True
 - 2) False
14. Female PVC threaded fittings shall be used with _____.
- 1) copper male fittings
 - 2) brass male fittings
 - 3) galvanized male fittings
 - 4) plastic male fittings
 - 5) all of the answers provided
15. PVC pipe may be threaded if it is at least of Schedule _____.
- 1) 40
 - 2) 60
 - 3) 80
 - 4) 100
 - 5) 120
16. Mechanical joints between stainless steel pipe and fittings shall be of the _____.
- 1) compression type
 - 2) grooved coupling type
 - 3) hydraulic pressed type
 - 4) flanged type
 - 5) any of the answers provided
17. Welded joints between stainless steel pipe and fittings shall comply with standard _____ and shall be welded autogenously.
- 1) ASTM C425
 - 2) ASME A112.3.1
 - 3) ASME B1.20.1
 - 4) ASTM F 656
18. Mechanical joints for Vitrified Clay Pipe shall be designed to provide a permanent seal and shall be of the _____ joint type.
- 1) mechanical
 - 2) push-on
 - 3) either of the answers provided
 - 4) neither of the answers provided
19. A solvent cement joint between ABS and PVC building drain and building sewer shall be made using listed transition solvent cement.
- 1) True
 - 2) False
20. The joint between a copper pipe and a fitting shall be _____.
- 1) soldered or brazed
 - 2) press fit
 - 3) glued
 - 4) welded
 - 5) all of the answers provided

=====

UPC Chapter 7 Sanitary Drains

Student Copy

RV 4.24.2021

Quiz 6

1. Which is NOT an approved fitting?
 - 1) 1/32 bend
 - 2) 1/16 bend
 - 3) 1/8 bend
 - 4) 1/6 bend
 - 5) 1/4 bend
2. A horizontal drain line connecting with a vertical stack can enter through a _____.
 - 1) 45-degree wye branch
 - 2) 60-degree wye branch
 - 3) combination wye and 1/8 bend branch
 - 4) sanitary tee branch
 - 5) all of the answers provided
3. Which fitting is allowed to be used that connects a horizontal to vertical pipe which has more than one inlet at the same level is a _____.
 - 1) double fixture fitting
 - 2) double sanitary tee (same size barrels on all connections)
 - 3) double wye tee
 - 4) wye tee installed horizontally
 - 5) all of the answers provided
4. A double sanitary tee may be use to connect a horizontal to a vertical pipe which has more than one inlet at the same level is the barrel of the fitting is at least 2 pipe sizes larger than the largest inlet.
 - 1) True
 - 2) False
5. A horizontal drain line connecting to another horizontal drain line can enter through _____.
 - 1) a 45-degree wye branch
 - 2) a combination wye and 1/8 bend branch
 - 3) an approved fitting of equivalent sweep
 - 4) all of the answers provided
 - 5) none of the answers provided
6. A vertical drain line connecting to a horizontal drain line can enter through _____.
 - 1) a 45-degree wye branch
 - 2) a combination wye and 1/8 bend branch
 - 3) an approved fitting of equivalent sweep
 - 4) all of the answers provided
 - 5) none of the answers provided
7. A 3-inch drainage pipe shall have a cleanout with a minimum size of _____.
 - 1) 1-1/2 inch
 - 2) 2 inches
 - 3) 2-1/2 inches
 - 4) 3 inches
 - 5) 3-1/2 inches
8. A cleanout plug may be made from _____.
 - 1) Copper alloy
 - 2) Stainless steel
 - 3) ABS
 - 4) PVC
 - 5) all of the answers provided

UPC Chapter 7 Sanitary Drains Student Copy

RV 4.24.2021

9. A cleanout must be gas and watertight.
- 1) True
 - 2) False
10. Horizontal drain lines that are less than five foot length do not need a cleanout unless it serves _____.
- 1) a sink
 - 2) water closet
 - 3) shower
 - 4) dish washer
 - 5) all of the answers provided
11. A cleanout shall be provided for each horizontal run of _____ or equivalent feet of piping.
- 1) 10 feet
 - 2) 50 feet
 - 3) 100 feet unless superseded by AHJ amendments
 - 4) 200 feet
12. A cleanout shall be provided when there is a horizontal change of direction exceeding _____ degrees.
- 1) 45
 - 2) 90
 - 3) 135
 - 4) 180
 - 5) 270
13. In a building, a cleanout is NOT required to be on a pipe that is above the floor level of the lowest floor of the building.
- 1) True
 - 2) False
14. A cleanout will need to be located _____.
- 1) so that it allows cleaning in the direction of flow
 - 2) with the right angles to allow cleaning in the direction of flow
 - 3) above the flow line of the pipe
 - 4) all of the answers provided
 - 5) none of the answers provided
15. The length of a cleanout extension is to be considered part of the length of the drainage system in computing the 100 feet rule and 135-degree rule.
- 1) True
 - 2) False
16. A cleanout needs to be placed on the _____ of an interceptor.
- 1) inside
 - 2) outside
 - 3) downstream side
 - 4) all of the answers provided
 - 5) none of the answers provided
17. A cleanout, unless installed under an approved cover plate, will need to be _____.
- 1) above grade
 - 2) readily accessible
 - 3) located to serve the purpose for which it is intended

UPC Chapter 7 Sanitary Drains Student Copy

RV 4.24.2021

- 4) all of the answers provided
- 5) none of the answers provide

=====

Quiz 7

1. Horizontal drainage pipes should have a uniform slope of _____ inch per foot.
 - 1) 1/16
 - 2) 1/8
 - 3) 1/4
 - 4) 1/2
 - 5) 3/4

2. Upon approval of the Authority Having Jurisdiction a four inch or greater drainage pipe may be placed at _____ inch per foot.
 - 1) 1/16
 - 2) 1/8
 - 3) 1/4
 - 4) 1/2
 - 5) 3/4

3. If a drainage pipe is placed at a reduced slope, the DFU rating of the drainage pipe is rated is at _____% of Table 703.2.
 - 1) 50%
 - 2) 60%
 - 3) 70%
 - 4) 80%
 - 5) 90%

4. Fixtures that are _____ than the next upstream manhole need to be protected from back flow of sewage with an approved type of backwater valve.
 - 1) lower
 - 2) higher
 - 3) parallel
 - 4) neither higher or lower

5. A sewage ejector pump that receives discharge of W.C. and urinals needs to have a capacity of at least _____ gpm.
 - 1) 5
 - 2) 10
 - 3) 15
 - 4) 20
 - 5) 30

6. In a single dwelling unit, the ejector or pump will need to pump a _____ inch diameter solid ball.
 - 1) 1
 - 2) 1-1/2
 - 3) 2
 - 4) 2-1/2
 - 5) 3

7. In an apartment building, the ejector or pump will need to pump a _____ inch diameter solid ball.
 - 1) 1
 - 2) 1-1/2
 - 3) 2
 - 4) 2-1/2

UPC Chapter 7 Sanitary Drains

Student Copy

RV 4.24.2021

- 5) 3
8. In a single-family dwelling, _____ maybe allowed for each gallon per minute of flow from a pump or a sump ejector.
- 1) 1 DFU
 - 2) 2 DFU
 - 3) 3 DFU
 - 4) 5 DFU
 - 5) 10 DFU
9. The minimum sized vent from a sump pump receiving tank is _____ inch(es).
- 1) 3/4
 - 2) 1
 - 3) 1-1/2
 - 4) 2
 - 5) 2-1/2
10. The minimum sized discharge pipe from a macerating toilet is _____ inch.
- 1) 3/4
 - 2) 1-1/4
 - 3) 1-1/2
 - 4) 2
 - 5) 2-1/2
11. To prevent suds-ing, drainage connections shall not be made into a drainage piping system within _____ feet of a vertical to horizontal change of direction of a stack containing suds-producing fixtures.
- 1) 5
 - 2) 8
 - 3) 12
 - 4) 16
 - 5) 22
12. Which of the following fixtures is NOT considered to be suds producing?
- 1) water closet
 - 2) bathtub
 - 3) kitchen sink
 - 4) dishwasher
 - 5) laundry
13. Plastic drainage pipe shall NOT be tested with _____.
- 1) air
 - 2) water
 - 3) either air or water
14. A water test will need to use at least a _____ feet head of water.
- 1) 2
 - 2) 5
 - 3) 10
 - 4) 15
 - 5) 20